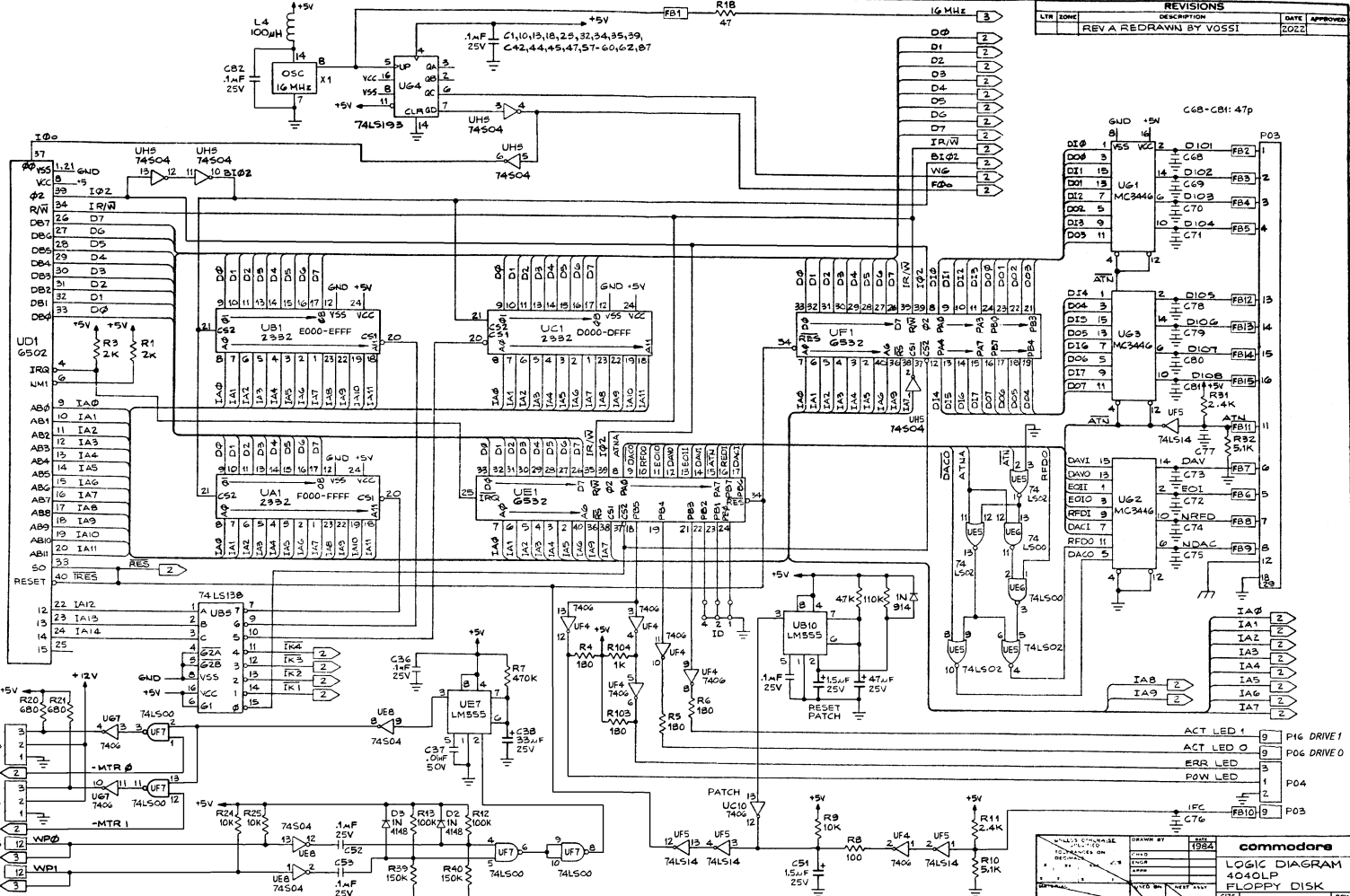


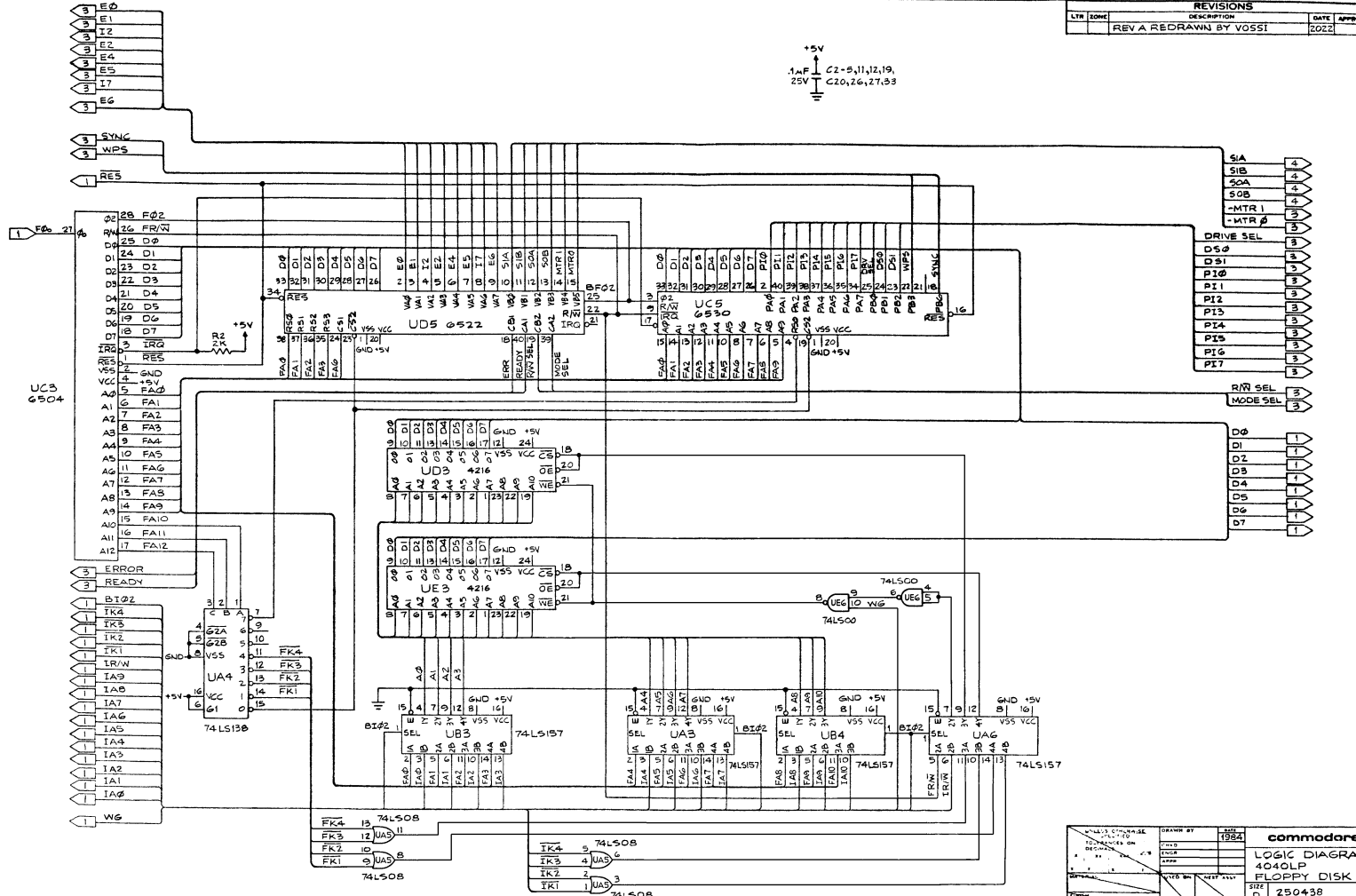
REVISONS			DATE	APPROVED
LTR	ISSUE	DESCRIPTION		
	REV A	REDRAWN BY VOSSI	2022	



1. RESISTORS ARE 1/4W 5% VALUES ARE EXPRESSED IN OHMS.

ACT LED 1	9	P16 DRIVE 1
ACT LED 0	9	P06 DRIVE 0
ERR LED	1	P04
POW LED	2	
	1	
	2	
	3	
	4	
	5	
	6	
	7	
	8	
	9	

commodore  
LOGIC DIAGRAM  
4040LP  
FLOPPY DISK  
REV A  
D. 250438  
SCALE  
SHEET 1 of 4



UCB  
6504

+5V  
1.1µF C2-5,11,12,19,  
25V C20,26,27,33

- SIA 4
- SIB 4
- SOA 4
- SOB 4
- MTR1 3
- MTR2 3
- DRIVE SEL 3
- D54 3
- D51 3
- P10 3
- P11 3
- P12 3
- P13 3
- P14 3
- P15 3
- P16 3
- P17 3
- R/W SEL 3
- MODE SEL 3
- D0 1
- D1 1
- D2 1
- D3 1
- D4 1
- D5 1
- D6 1
- D7 1

- FK4 13 74LS08
- FK3 12 UAS 11
- FK2 10 UAS 8
- FK1 9 UAS 3
- 74LS08
- IK4 5 74LS08
- IK3 4 UAS 6
- IK2 3 74LS08
- IK1 1 UAS 3
- 74LS08



